

PRECISION

Total filter cleaning controls for reverse pulse jet dust collectors.

Maximises filter cleaning performance. Easy integration into plant control. Communicates in 5 languages. As simple or sophisticated as required.

Key hardware features

- Choice of Continuous mode (P1) or Enhanced Demand mode (P2) interfaces. These may be upgraded in-situ, after disconnecting power.
- 2 or 4 line backlit LCD display showing operating mode, scrolling display of settings, differential pressure (P2 only), and countdown to next valve pulse and valve ID.
- Integrated pressure transducer on the Enhanced Demand interface eliminates the requirement for a separate pressure gauge. Collector differential pressure is displayed on the P2 interface display.
- Ten solenoid terminals on-board the Precision master controller. Terminals may be expanded to 200 total by connecting either PS-CA or PS-LA expansion cards (each ten outputs).
- Available as board only or in a range of enclosures.
- Optional RS485 two wire communications card (P-MOD), supporting Modbus RTU protocol. Full SCADA and DCS connectivity with full read and write capability.
- Optional digital I/O card (P-CTX) with 4-20mA dP output, alarm outputs, remote alarm reset, remote continuous/demand toggle, and remote manual cycle actuation. Ideal for control panels, lights or audible alarms.
- Optional tube cleaner manifold to keep pressure sensing lines clear and functional.
- PS-CA expansion cards(compact) may be ordered pre-assembled and pre-wired into the IP65 steel/SS enclosures (maximum 5 slaves with tube cleaner manifold removed). The PS-LA expansion cards (large) can be single fitted to the IP65 steel/SS enclosures only.



Key software features

- Choice of five display languages: English, French, German, Italian, Spanish.
- Choice of five units for pressure: Pa, kPa, inWG, mmH₂O, mmHg.
- Pattern Cleaning mode (P2) allows a pulse cleaning pattern to be set to minimise dust re-entrainment on filters.
- Maximum interval (P2) allows a minimum cleaning cycle rate to be set between pulses when in demand cleaning mode. This provides safety net cleaning for the filters.
- Cycle counter with maintenance alarms at 100K, 500K, and 950K cycles.
- High dP alarm and alarm delay setting (P2).
- Filter Precoating function (P2).
- Offline cleaning cycles.
- Demand cleaning (P2) by high/low limits or dP + %bandwidth.
- Automatic detection of connected solenoids and expansion cards.
- Automatic detection and alarms for failed solenoids - open or closed circuit.
- Automatic detection and alarms for Precision circuit over temperature and low voltage.



Electrical specifications

Power Supply:

240VAC 300W (1.25A)

110VAC 300W (2.5A)

Modbus communications specifications

Modbus RTU

RS485 Half duplex (two wire) 9600 Baud rate

Data bits = 8

Stop bits = 1

Parity = None

Mechanical/Environmental specifications

Operating temp.: 0 -70°C (32 -158°F)

Vibration: to 55Hz, 1.5mm double amplitude

Shock: to 100m/s²

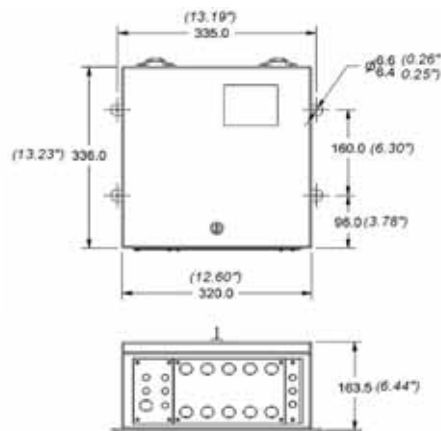
Configuration of expansion cards

Max cards connected: 19 (total 200 outputs)



Differential pressure tapings using 1/4" OD tubing

Air Pressure correction 1/4" OD piping



Australia

Goyen Controls Co Pty Ltd
268 Milperra Rd
Milperra
NSW 2214
AUSTRALIA
Telephone: 61 2 9792 0201
Facsimile: 61 2 9771 5380

Queensland

Telephone: 61 7 3260 2161
Facsimile: 61 7 3260 2165

Victoria

Telephone: 61 3 9874 6655
Facsimile: 61 3 9874 1846

South Australia

Telephone: 61 2 9792 0201
Facsimile: 61 2 9771 5380

Western Australia

Telephone: 61 7 3260 2161
Facsimile: 61 7 3260 2165

USA

Goyen Valve Corporation
1195 Airport Rd Lakewood
New Jersey 08701
USA
Telephone: 1 732 364 7800
Facsimile: 1 732 364 1356

Asia

Goyen Controls Co Pty Ltd
65-2 Jalan Mega Mendung
Kompleks Bandar 58200
Kuala Lumpur
MALAYSIA
Telephone: 60 37 987 6839
Facsimile: 60 37 987 7839

Goyen Controls Co Pty Ltd
Shanghai Representative Office
2521 Zhao Feng World Trade Centre
369 Jian Su Rd
Shanghai 200050
China
Telephone: 86 21 5239 8810
Facsimile: 86 21 5239 8812

Europe

Goyen Controls Co UK Ltd
Unit 3B Beechwood
Chineham Business Park
Basingstoke, Hampshire, RG24 8WA
UNITED KINGDOM
Telephone: 44 1256 817 800
Facsimile: 44 1256 843 164

Mecair S.r.l
Via per Cinisello 97
1 -20054 Nova Milanese
Milano
ITALY
Telephone: 39 0362 3751
Facsimile: 39 0362 367 279

Tyco Umwelttechnik GmbH
Im Petersfeld 6
D-65264 Altdiez
GERMANY
Telephone: 49 6432 1001/1002
Facsimile: 49 6432 63810