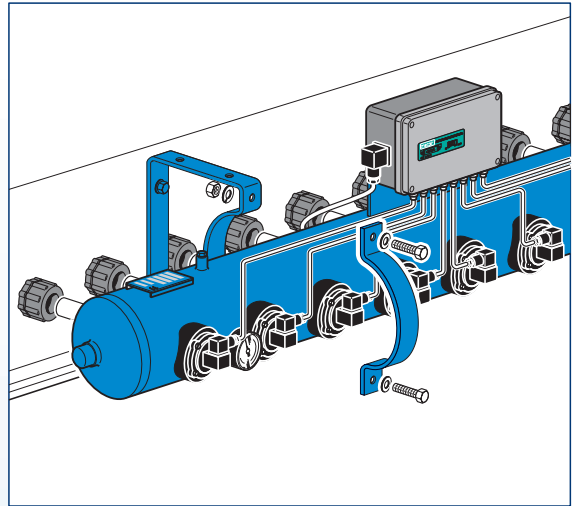
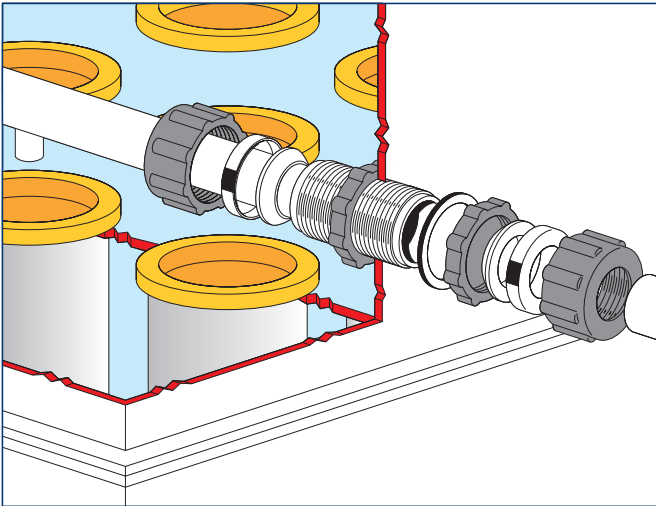




ASME
"U" & "UM"
STAMP



**High efficiency "Full Immersion"
system complete with ASME approved tank.
Approvals: "U" or "UM" stamp
or exempt in conformity to U-1 (c) (2) (i).**

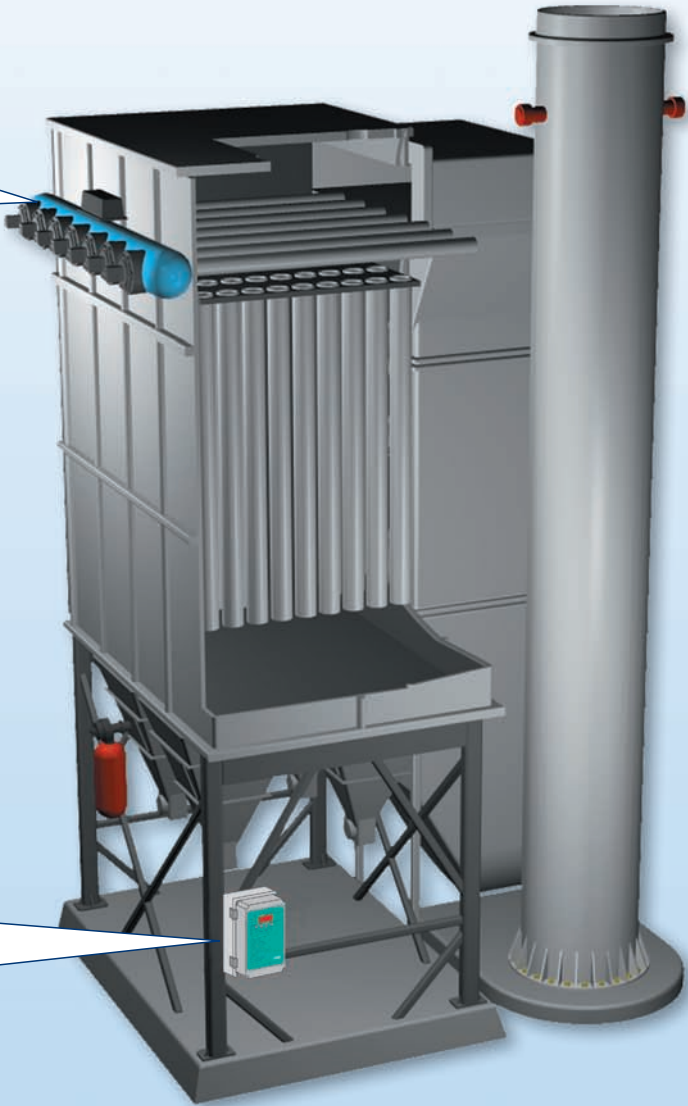
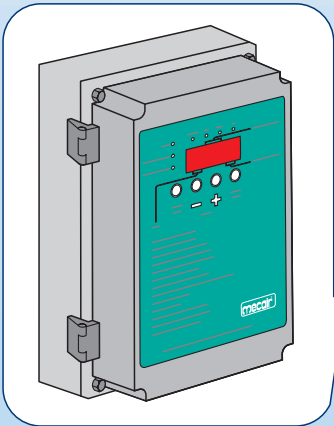


Certified
mecair S.r.l.
Via per Cuneo, 37
 20054 Pieve Fissiraga - Milano - ITALIA
 Phone +39 02 9751
 Fax +39 02 975279

W _____ psi at _____ °F
 Max. allowable working pressure

_____ °F at _____ ps
 Min. Design metal temperature

Serial number Year built



DESCRIPTION

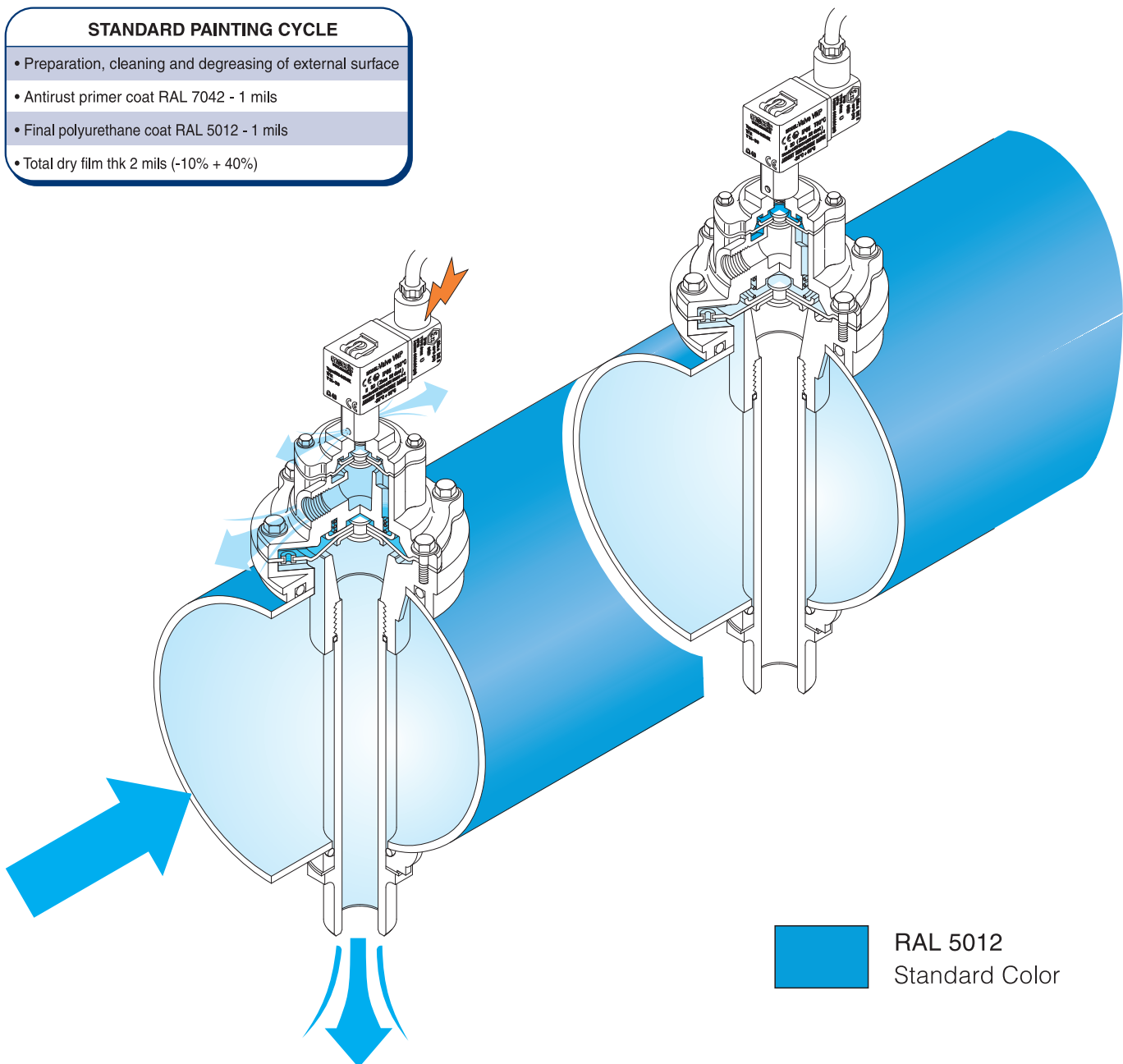
Full Immersion ASME

MECAIR “FULL IMMERSION” high efficiency patented system, for the pneumatic cleaning of dust collector filters, consisting of a tested and certified Mecair header tank manufactured in accordance with ASME Code “U” or “UM” stamps, or exempt in conformity to U-1 (c) (2) (i).

Valves are constructed in anodized die-cast aluminium to protect them from corrosive and environmental agents. Diaphragms are obtained from high quality material. Bolts, screws and washers are in stainless steel. Standard tanks are manufactured in carbon steel externally painted. On request they can be submitted to special internal / external anti-corrosion cataphoresis treatment.

On request they can be manufactured in 304L or 316L stainless steel.

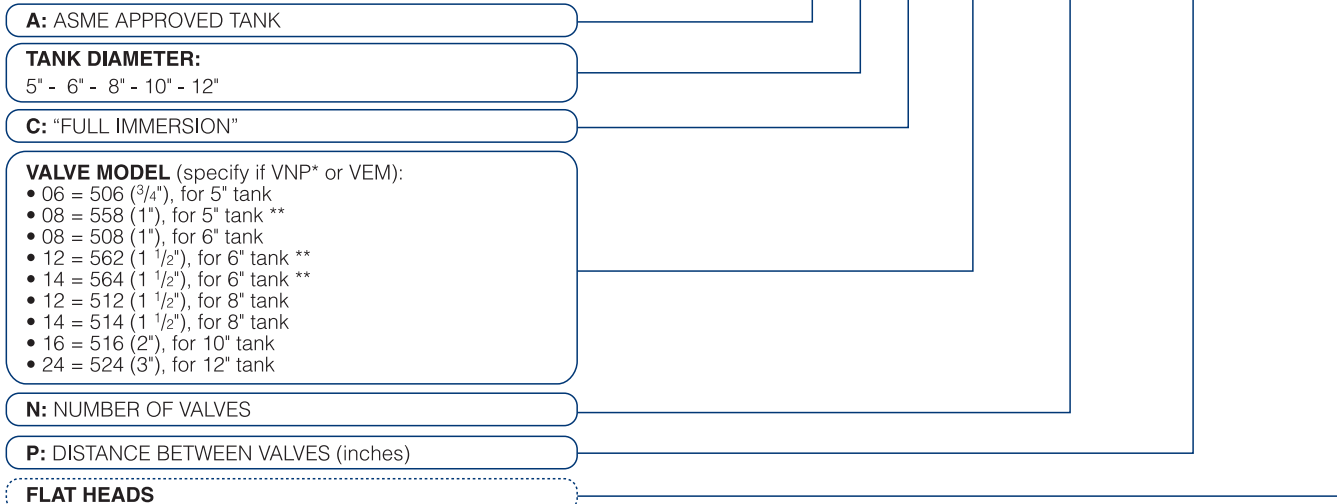
STANDARD PAINTING CYCLE
• Preparation, cleaning and degreasing of external surface
• Antirust primer coat RAL 7042 - 1 mils
• Final polyurethane coat RAL 5012 - 1 mils
• Total dry film thk 2 mils (-10% + 40%)



HOW TO ORDER (CODE CONFIGURATION)

Full Immersion ASME

A 6 C 08 N04 P180 / F



A: ASME APPROVED TANK

TANK DIAMETER:
5" - 6" - 8" - 10" - 12"

C: "FULL IMMERSION"

VALVE MODEL (specify if VNP* or VEM):
 • 06 = 506 (3/4"), for 5" tank
 • 08 = 558 (1"), for 5" tank **
 • 08 = 508 (1"), for 6" tank
 • 12 = 562 (1 1/2"), for 6" tank **
 • 14 = 564 (1 1/2"), for 6" tank **
 • 12 = 512 (1 1/2"), for 8" tank
 • 14 = 514 (1 1/2"), for 8" tank
 • 16 = 516 (2"), for 10" tank
 • 24 = 524 (3"), for 12" tank

N: NUMBER OF VALVES

P: DISTANCE BETWEEN VALVES (inches)

FLAT HEADS

** When these valves are installed the tank minimum length is equal to 10 feet

* Please specify voltage

- 500 Series is available in two models:
- VNP, complete with coil.
 - VEM, suitable for remote solenoid or enclosure with pneumatic connection.

GENERAL FEATURES	
Fluids	Filtrated and oil free air
Diaphragm	Standard NBR: -5°F / +250°F Optional Viton: -25°F / +400°F Nitrile: -40°F / +250°F
Operating pressure	From 7,0 to 110 psi

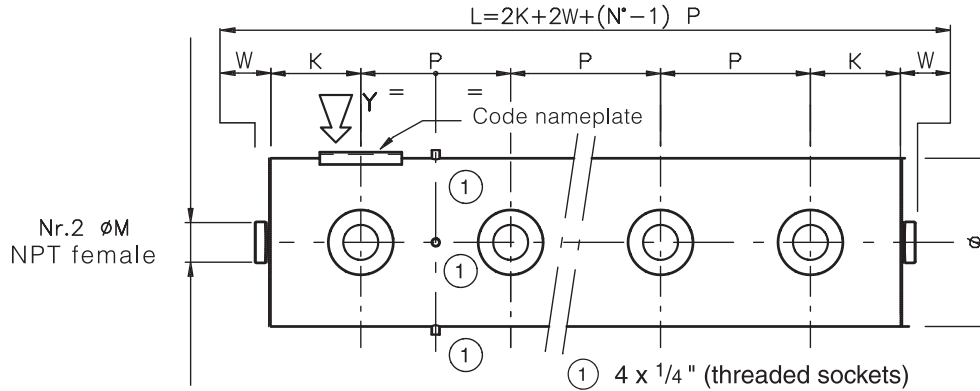
CONSTRUCTIVE FEATURES VALVE	
Cover	Die-cast aluminium
Body	Die-cast aluminium
Pilot base	Brass - Chromed black
Ferrule tube	Stainless steel
Diaphragm	NBR
Bolts	Stainless steel
Diaphragm disc	Stainless steel
Diaphragm spring	Stainless steel

ELECTRICAL FEATURES SOLENOID COIL	
Coil insulation	Class H
Connector	Connection Pg9
Connector specification	DIN 43650 - ISO 4400
Connector insulation class	VDE 0110 - 1/89
Electrical protection	IP65
Standard voltage	12V DC (-5%, +20%) 12W 24V DC (-5%, +20%) 12W 48 V DC (-10%, +20%) 9W 110 V DC (-10%, +20%) 12W 24V 50/60Hz (-10%, +20%) 16/12 VA 48 V 50/60 Hz (-10%, +20%) 16/12 VA 110/127 V 50/60 Hz (-10%, +20%) 19/14 VA 220/240 V 50/60 Hz (-10%, +20%) 19/14 VA
Ambient temperature	-5°F / +140°F

TYPE VALVE	Ø Valve	No. of diaphragms	Operating Pressure (psi)		Coil	Cv
			min.	max		
VNP506	3/4"	1	7	110	YES	17,5
VNP558	1"	1	7	110	YES	30,6
VNP508	1"	1	7	110	YES	30,6
VNP562	1 1/2"	1	7	110	YES	65,3
VNP564	1 1/2"	2	7	110	YES	71,3
VNP512	1 1/2"	1	7	110	YES	65,3
VNP514	1 1/2"	2	7	110	YES	71,3
VNP516	2"	2	7	110	YES	128,0
VNP524	3"	2	7	110	YES	162,0
VEM506	3/4"	1	7	110	NO	17,5
VEM558	1"	1	7	110	NO	30,6
VEM508	1"	1	7	110	NO	30,6
VEM562	1 1/2"	1	7	110	NO	85,3
VEM564	1 1/2"	2	7	110	NO	71,3
VEM512	1 1/2"	1	7	110	NO	65,3
VEM514	1 1/2"	2	7	110	NO	71,3
VEM516	2"	2	7	110	NO	128,0
VEM524	3"	2	7	110	NO	162,0

DIMENSIONAL TABLE

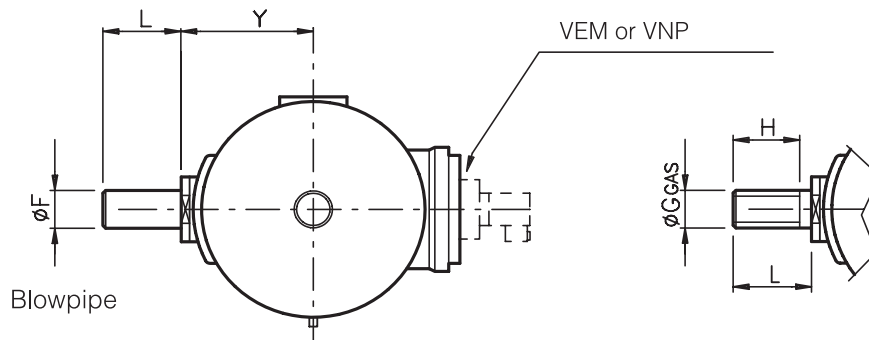
Full Immersion ASME



TO BE FILLED

Tank		Valve DN	P min.	K min.	W	M	P Required Pitch	N°. of Valves	K optional
DN	O.D.								
DN 5"	5 9/16"	3/4"	3 3/4"	2 7/8"	5/8"	1"			
DN 5" **	5 9/16"	1"	4 3/4"	3 1/2"	5/8"	1"			
DN 6"	6 5/8"	1"	4 3/4"	3 1/2"	5/8"	1"			
DN 6" **	6 5/8"	1 1/2"	6 1/4"	3 1/2"	5/8"	1"			
DN 8"	8 5/8"	1 1/2"	6 1/4"	4 1/2"	6/8"	1 1/2"			
DN 10"	10 3/4"	2"	7 1/8"	4 1/2"	6/8"	1 1/2"			
DN 12"	12 3/4"	3"	7 7/8"	5 1/8"	1"	2"			

** Tank minimum length = 10 feet

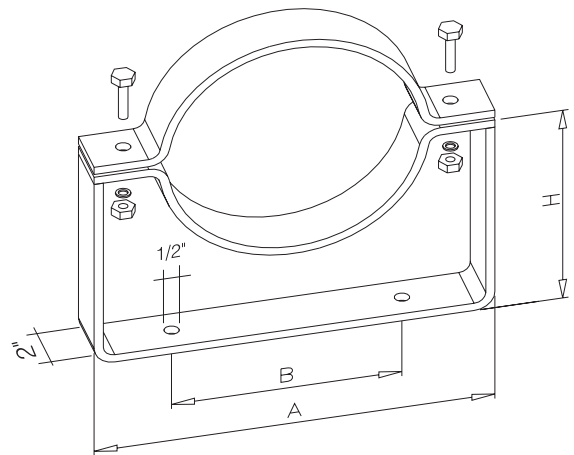


Tank		Ø F	Y	Short blowpipe	L	Long blowpipe	L	Thereathed blowpipe	H	L
DN	O.D.									
DN 5"	5 9/16"	3/4"	3 11/16"	TS506	2 9/16"	TL506	3 2/16"	TF506	2 3/4"	3 2/16"
DN 5"	5 9/16"	1"	3 11/16"	TS558	2 9/16"	TL558	3 15/16"	TF558	3 1/2"	3 15/16"
DN 6"	6 5/8"	1"	4 3/16"	TS508	2 9/16"	TL508	3 15/16"	TF508	3 1/2"	3 15/16"
DN 6"	6 5/8"	1 1/2"	4 3/16"	TS564	2 9/16"	TL564	3 15/16"	TF564	3 1/2"	3 15/16"
DN 8"	8 5/8"	1 1/2"	5 3/16"	TS514	2 9/16"	TL514	4 3/4"	TF514	4 5/16"	4 3/4"
DN 10"	10 3/4"	2"	6 4/16"	TS516	2 9/16"	TL516	4 3/4"	TF516	5 2/16"	5 1/2"
DN 12"	12 3/4"	3"	9 5/16"	TS524	3 2/16"	TL524	5 1/2"	TF524	5 2/16"	5 1/2"

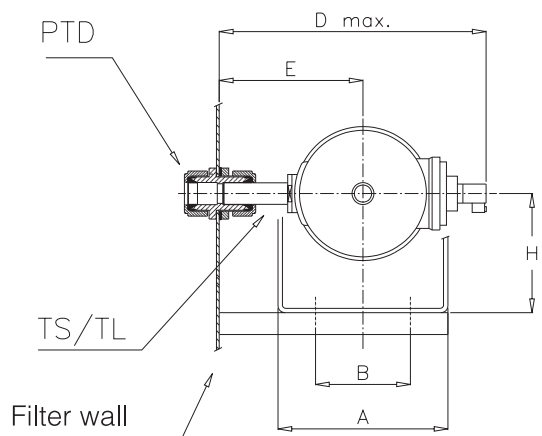
BRACKETS AND BLOWPIPES

Full Immersion ASME

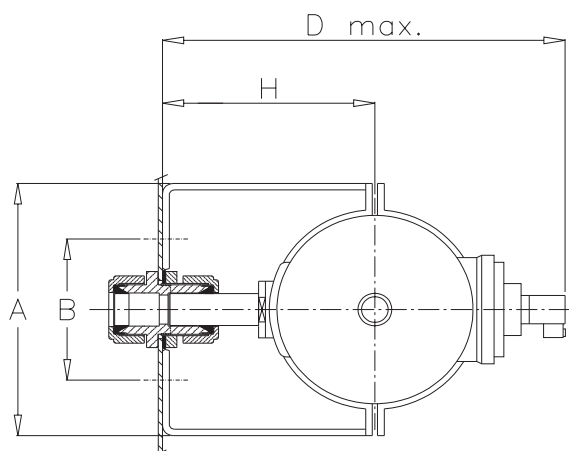
DN tank	Bracket model	A	B	H	Standard bracket min. pitch
5" (141,3)	TH05	10 3/8"	5 7/8"	7 1/8"	5 1/2"
	TM05	10 3/8"	5 7/8"	6 5/16"	
	TB05	10 3/8"	5 7/8"	3 3/4"	
6" (168,3)	TH06	11 1/2"	5 7/8"	7 7/8"	5 7/8"
	TM06	11 1/2"	5 7/8"	6 3/4"	
	TB06	11 1/2"	5 7/8"	4 5/16"	
8" (219,1)	TH08	13 11/16"	7 7/8"	10 10/16"	7 7/8"
	TM08	13 11/16"	7 7/8"	8 1/4"	
	TB08	13 11/16"	7 7/8"	5 1/4"	
10" (273)	TH10	16 11/16"	9 7/8"	11 7/16"	9 1/16"
	TB10	16 11/16"	9 7/8"	6 5/16"	
12" (323,9)	TH12	19 5/16"	11 13/16"	13 3/8"	9 13/16"



DN tank	Bracket model	Blowpipe	E	D Max	Blowpipe	E	D Max
5" (141,3)	TH05	TS506/558	6 5/16"	12" / 12 13/16"	TL506/558	7 1/16"	12 13/16" / 13 3/4"
	TM05	TS506/558	6 5/16"	12" / 12 13/16"	TL506/558	7 1/16"	12 13/16" / 13 3/4"
	TB05	TS506/558	6 5/16"	12" / 12 13/16"	TL506/558	7 1/16"	12 13/16" / 13 3/4"
6" (168,3)	TH06	TS508/564	6 7/8"	14 3/16" / 16 3/4"	TL508/564	8 3/8"	15 9/16" / 18 1/8"
	TM06	TS508/564	6 7/8"	14 3/16" / 16 3/4"	TL508/564	8 3/8"	15 9/16" / 18 1/8"
	TB06	TS508/564	6 7/8"	14 3/16" / 16 3/4"	TL508/564	8 3/8"	15 9/16" / 18 1/8"
8" (219,1)	TH08	TS514	8 1/4"	18 1/8"	TL514	10 5/8"	20 1/2"
	TM08	TS514	8 1/4"	18 1/8"	TL514	10 5/8"	20 1/2"
	TB08	TS514	8 1/4"	18 1/8"	TL514	10 5/8"	20 1/2"
10" (273)	TH10				TL516	11"	21 11/16"
	TB10				TL516	11"	21 11/16"
12" (323,9)	TH12						25 10/16"

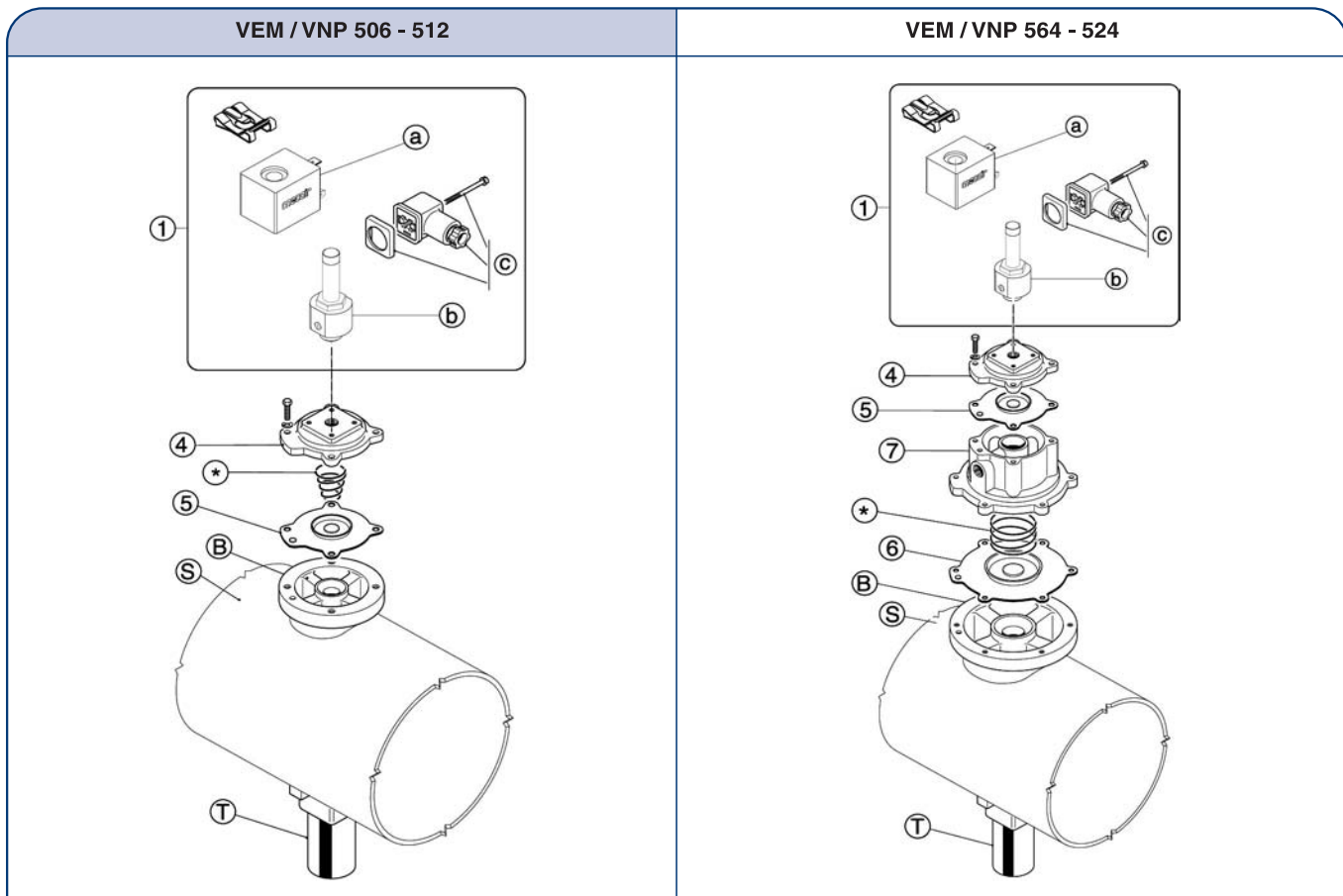


DN tank	Bracket Model	D Max	Pipe Outlet
5" (141,3)	TH05	12 13/16" / 14 13/16"	TL506/558
	TM05	12 11/16" / 13 3/8"	TS506/558
6" (168,3)	TH06		
	TM06	14 3/16" / 16 1/2"	TS508/564
8" (219,1)	TH08	20 1/2"	TL514
	TM08	18 1/8"	TS514
10" (273)	TH10	22 1/16"	TL516
	TM10		
12" (323,9)	TH12	25 11/16"	TL524



SPARE PARTS

Full Immersion ASME



* Spring code **M470568** for all models
(S+B+T = Single unit not to be disassembled)

POS	DESCRIPTION	CODE
1	a) Coil with (*)	a) SB3 - ../.. (*)
	b) Pilot body	b) CP1/4
	c) Connector PG9EN175301-803 IP68	c) PLG9

(*) Specify voltage and frequency

POS	DESCRIPTION	CODE									
		VNP506	VNP558	VNP508	VNP562	VNP512	VNP564	VNP514	VNP516	VNP520	VNP524
1	Pilot group complete with coil (*) and cover	PV - ../.. (*)	PV - ../.. (*)	PV - ../.. (*)	PV - ../.. (*)	PV - ../.. (*)	PV - ../.. (*)	PV - ../.. (*)	PV - ../.. (*)	PV - ../.. (*)	PV - ../.. (*)
1+4	Pilot group complete with coil (*), cover and anchor screws	PVM06 - ../.. (*)	PVM08 - ../.. (*)	PVM08 - ../.. (*)	PVM12 - ../.. (*)	PVM12 - ../.. (*)	PVM06 - ../.. (*)	PVM06 - ../.. (*)	PVM06 - ../.. (*)	PVM06 - ../.. (*)	PVM06 - ../.. (*)
5	Diaphragm	DB 16	DB 18	DB 18	DB 112	DB 112	DB 16	DB 16	DB 16	DB 16	DB 16
6	Secondary Diaphragm	-	-	-	-	-	DB 114	DB 114	DB 116	DB 120	DB 120
7	Intermediate cover (double diaphragm)	-	-	-	-	-	M310098	M310098	M310100	M310101	M310101

(*) Specify voltage and frequency (or DC)

POS	DESCRIPTION	CODE									
		VEM506	VEM558	VEM508	VEM562	VEM564	VEM512	VEM514	VEM516	VEMP520	VEM524
4	VEM top cover	M310082	M310086	M310086	M310092	M310082	M310092	M310082	M310082	M310082	M310082
5+7	See VNP description	See above	See above	See above	See above	See above	See above	See above	See above	See above	See above



THE TOTAL SOLUTION PROVIDER

Mecair S.r.l.

Via per Cinisello 97
20054 Nova Milanese - Milano
ITALY

Tel.: +39 0362 3751

Fax: +39 0362 367279

email: mecair@mecair.it

www.mecair.it

www.cleanairsystems.com

EUROPE

• **Tyco Umwelttechnik**
Im Petersfeld 6
D-65624 Altendiez
GERMANY
Tel.: +49 6432 1001/1002
Fax: +49 6432 63810

• **Goyen Controls Co UK Ltd**
Unit 3B Beechwood
Chineham Business Park
Basingstoke, Hampshire, RG24 8WA
UNITED KINGDOM
Tel.: +44 1256 817 800
Fax: +44 1256 843 164

ASIA PACIFIC

• **Goyen Controls Co Pty Ltd**
268 Milperra Road
Milperra
NSW 2214 AUSTRALIA
Tel.: +61 2 9792 0201
Fax: +61 2 9771 5380

• **Goyen S.R.O.**
Shanghai Representative Office
2521 Zhao Feng World Trade Building
369 Jiang Su Road Shanghai 200050 CHINA
Tel.: +86 21 5239 8810
Fax: +86 21 5239 8812

USA

• **Goyen Valve Corporation**
1195 Airport Road
Lakewood
New Jersey 08701 USA
Tel.: +1 732 364 7800
Fax: +1 732 364 7839