

Technical Specification

**Bulkhead Seal Cup**



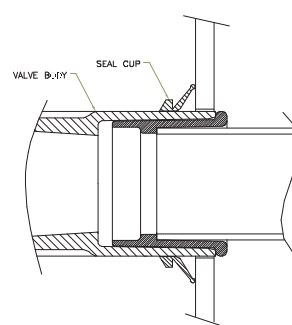
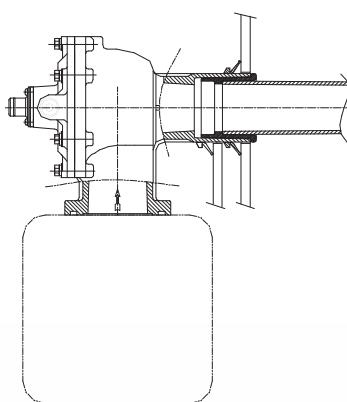
**Description**

Goyen produces a range of EPDM and viton bulkhead seals designed to ease the installation of cleaning systems onto dust collectors. These components eliminate the requirement for welding and allow easy removal of cleaning systems and blowtubes for maintenance purposes.

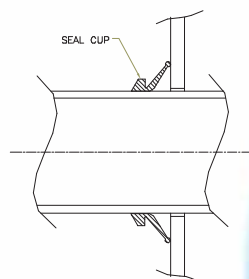
**Suitable for**

Most reverse pulse jet dust collector installations and their variations including bag filters, cartridge filters, envelope filters, ceramic filters, and sintered metal fibre filters.

**Installation**



Valve to wall seal  
Suitable for FS valves only



Blowtube to wall seal

**Order Code and Characteristics**

| Order Code | Style                  | Nom. Pipe OD<br>Schedule 40 | Material | Temperature Range<br>°C (°F) | Unit Mass<br>Kg (lbs) |
|------------|------------------------|-----------------------------|----------|------------------------------|-----------------------|
| 690591     | Valve to wall seal*    | ¾"                          | EPDM     | -40(-40) to 82(179.6)        | 0.005                 |
| 690591-2   | Valve to wall seal*    | ¾"                          | Viton    | -29(-20.2) to 232(449.6)     | 0.005                 |
| 690125     | Valve to wall seal*    | 1"                          | EPDM     | -40(-40) to 82(179.6)        | 0.015                 |
| 690125-2   | Valve to wall seal*    | 1"                          | Viton    | -29(-20.2) to 232(449.6)     | 0.015                 |
| 690093     | Valve to wall seal*    | 1 ½"                        | EPDM     | -40(-40) to 82(179.6)        | 0.025                 |
| 690093-2   | Valve to wall seal*    | 1 ½"                        | Viton    | -29(-20.2) to 232(449.6)     | 0.025                 |
| 690593     | Blow tube to wall seal | ¾"                          | EPDM     | -40(-40) to 82(179.6)        | 0.005                 |
| 690593-2   | Blowtube to wall seal  | ¾"                          | Viton    | -29(-20.2) to 232(449.6)     | 0.005                 |
| 690129     | Blowtube to wall seal  | 1"                          | EPDM     | -40(-40) to 82(179.6)        | 0.015                 |
| 690129-2   | Blowtube to wall seal  | 1"                          | Viton    | -29(-20.2) to 232(449.6)     | 0.015                 |
| 690094     | Blowtube to wall seal  | 1 ½"                        | EPDM     | -40(-40) to 82(179.6)        | 0.025                 |
| 690094-2   | Blowtube to wall seal  | 1 ½"                        | Viton    | -29(-20.2) to 232(449.6)     | 0.025                 |

\*Suitable for FS valves only